

The SU280P has been designed for direct current loads, particularly motors as used on electronic vehicles such as industrial trucks, airport tractors and such like.

- Interrupted current - opening and closing on load with frequent switching (results in increased contact resistance).
- Uninterrupted current - no or infrequent load switching requirements (maintains a lower contact resistance).

Application	Interrupted	Uninterrupted
Thermal Current Rating (¹ th)	250A	350A
Intermittent Current Rating:		
30% Duty	450A	635A
40% Duty	390A	550A
50% Duty	360A	495A
60% Duty	320A	450A
70% Duty	300A	415A
Rated Fault Current Breaking Capacity (¹ cn) 5ms Time Constant: (in accordance with UL583*)		
SU280P	1500A at 48V D.C.	
SU280BP	1500A at 80V D.C.	
Rated Fault Current Breaking Capacity (¹ cn) Resistive Load: (in accordance with UL508*)		
SU280P	525A at 60V D.C.	
SU280BP	525A at 96V D.C.	
Maximum Recommended Contact Voltages (U _e):		
SU280P	48V D.C. 60V D.C.	
SU280BP	96V D.C.	
Typical Voltage Drop per pole across New Contacts at 100A	40mV	
Mechanical M.T.B.F	>3 x 10 ⁶	
Coil Voltage Available (Us) (Rectifier board required for A.C.)	From 6 to 240V A.C./D.C.	
Coil Power Dissipation:		
Highly Intermittent Rated Types	40 - 50 Watts	
Intermittently Rated types	30 - 40 Watts	
Prolonged Rated Types	15 - 30 Watts	
Continuously Rated Types	10 - 15 Watts	
Maximum Pull-In Voltage (Coil at 20° C) Guideline:		
Highly Intermittent Rated types (Max 25% Duty Cycle)	60% U _s	
Intermittently Rated types (Max 70% Duty Cycle)	60% U _s	
Prolonged Operation (Max 90% Duty Cycle)	60% U _s	
Continuously Rated Types (100% Duty Cycle)	66% U _s	
Drop-Out Voltage Range	10 - 25% U _s	
Typical Pull-In Time	30ms	
Typical Drop-Out Time (N/O Contacts to Open):		
Without Suppression	8ms	
With Diode Suppression	60ms	
With Diode and Resistor (Subject to resistance value)	25ms	
Typical Contact Bounce Period	3ms	
Operating Ambient Temperature	- 40°C to + 60°C	
Guideline Contactor Weight:		
SU280P	755 gms	
With Blowouts	+ 50 gms	

Advised Connection Sizes for Maximum Continuous Current

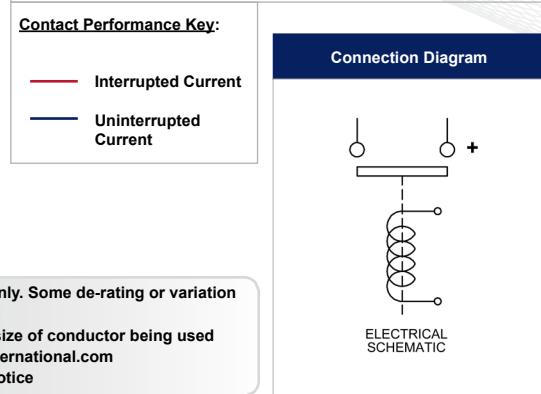
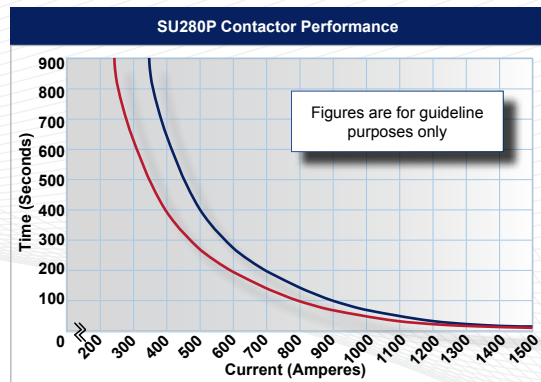
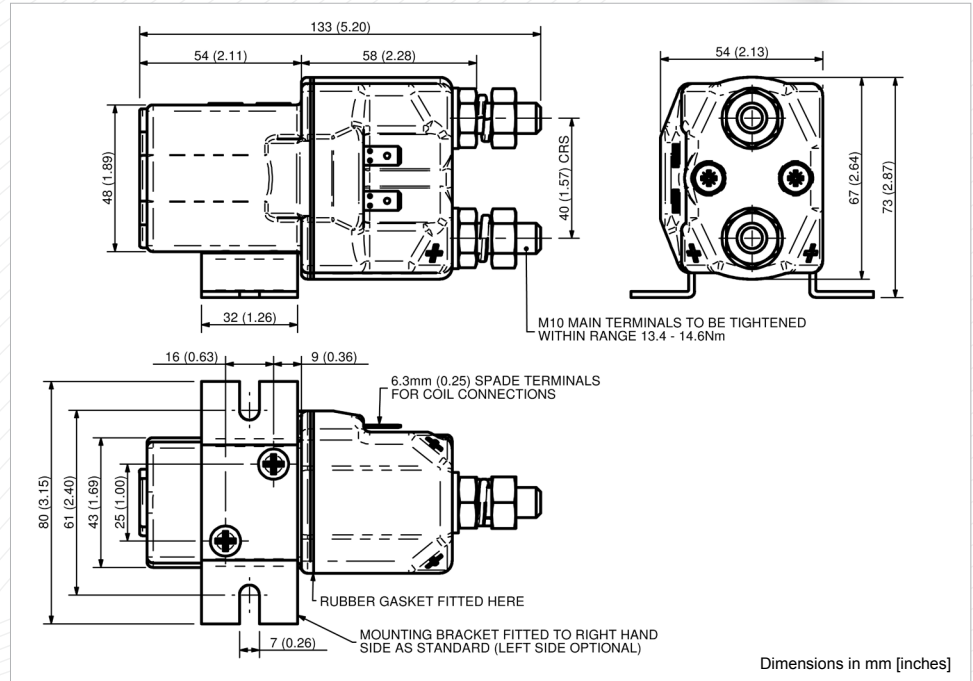
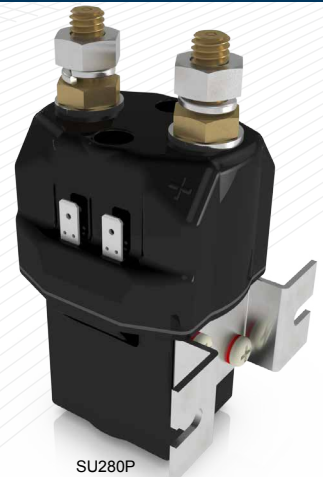
Copper busbar	228mm ² [0.353 inch ²]
Cable	Rated suitable for Application

Key: ▽ = Interrupted ▲ = Uninterrupted

Note: Where applicable values shown are at 20° C

* Please check our web site for product UL status

The contactors have double breaking main contacts with silver alloy tips, which are weld resistant, hard wearing and have excellent conductivity. The SU280P offers greater environmental protection (IP66) and is easy to install, with a range of mounting brackets available. To ensure IP66, mounting holes are not accessible. Mounting can be vertical or horizontal, when vertical the M10 contact studs should point upwards. If the requirement is for downwards orientation we can adjust the contactor to compensate for this.



SU280P Available Options		
General		Suffix
Auxiliary Contacts	X	
Auxiliary Contacts - V3	X	
Magnetic Blowouts†	○	B
Magnetic Blowouts - High Powered†	○	B
Armature Cap	X	
Mounting Brackets (Right side fit standard, left optional)	●	
Magnetic Latching† (Not fail safe)	○	M
Closed Contact Housing	●	
Environmentally Protected IP66	●	P
EE Type (Steel Shroud)	X	
Contacts		
Large Tips	X	
Textured Tips	○	T
Silver Plating	X	
Coil		
AC Rectifier Board (Fitted)	X	
Coil Suppression†	○	
Flying Leads	X	
Manual Override Operation	X	
M4 Stud Terminals	○	
M5 Terminal Board	X	
Vacuum Impregnation	X	
Key: ○ Optional ○ Standard ● Not Available X		
† Connections become polarity sensitive		